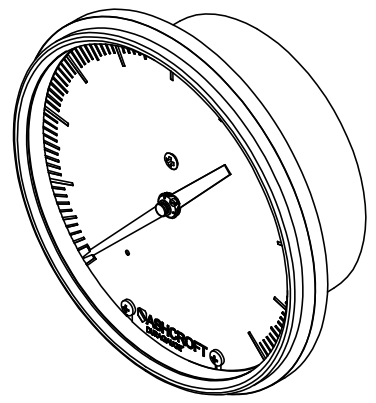
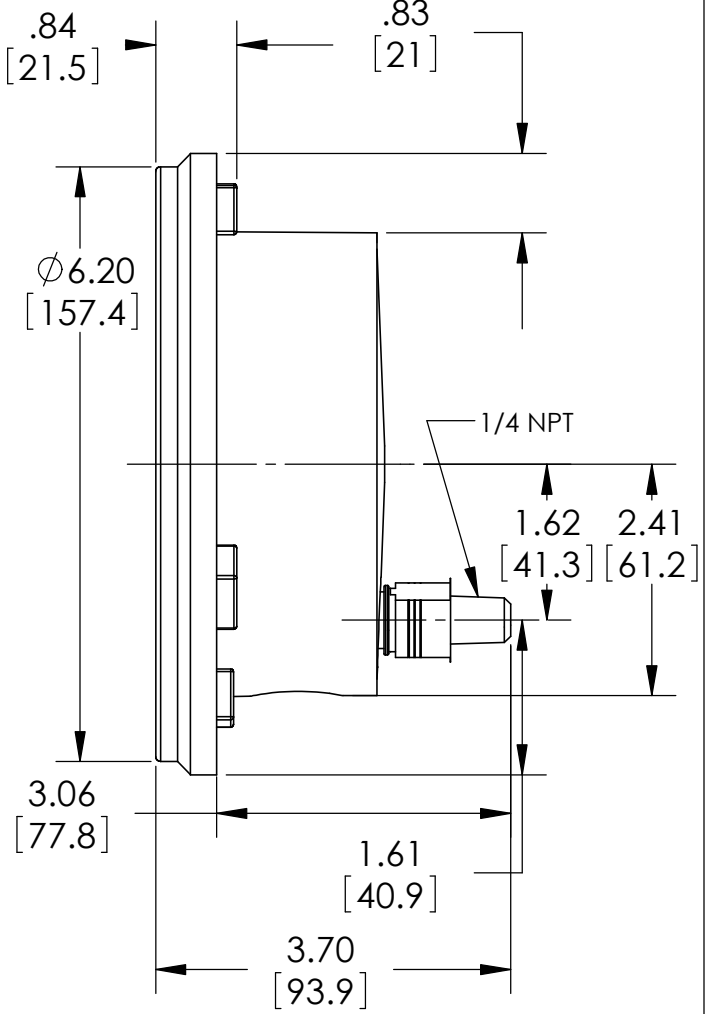
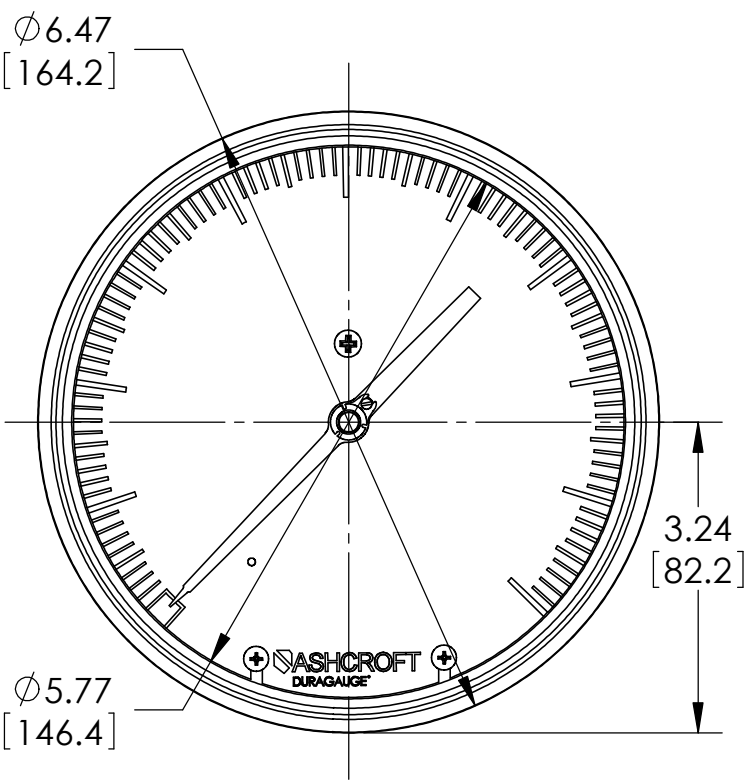




This drawing includes confidential information which is the property of ASHCROFT INC. This copy is loaned for a specific purpose, with the understanding that it will not be reproduced or used for any other purpose or disclosed to others, and it will be returned on demand.



DIMENSIONS IN [] ARE MILLIMETERS

REV.	ECO	DESCRIPTION	BY	DATE
B	0007035	REDEFINED AS 60 2462 02B	ALH	2/27/2014

This print certified correct for		General Dimensions			
Customer's Name		60 2462 02B SERIES			
		POLYPROPYLENE CASE DURAGAUGE			
Customer's Order No.	Drawn MJS	Date 6/1/10	Date of Issue		
Ashcroft Order No.	Checked	Date	SHEET-1		Rev.
Certified by	Date	Approved	Date	70A3040	B